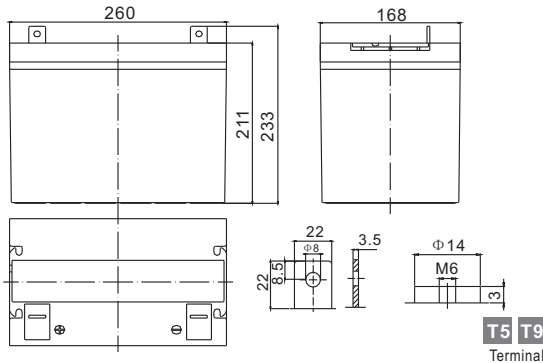


High Rate Series LFP1280HR

(12V290Watts/cell@15min.Rate)

FirstPower®

Dimension(mm)



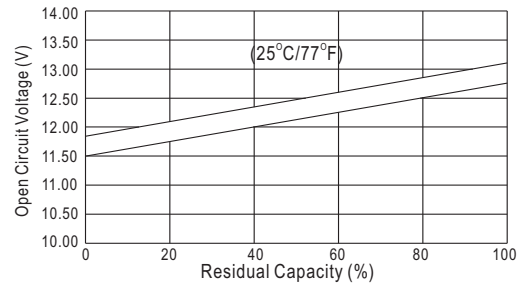
Specification

Nominal Voltage	12 V	
Capacity(10HR, 25°C)	80Ah(290Watts/cell@15min.Rate)	
Dimension	Length	260mm (10.2inch)
	Width	168mm (6.6inch)
	Height	211mm (8.3inch)
	Total Height(T5/T9)	233mm (9.2inch)/214mm (8.4inch)
Approx. Weight	25.5kg (56.2lbs)	

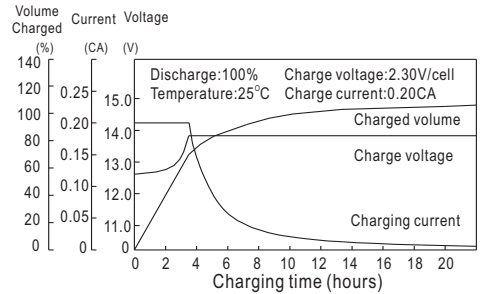
Characteristics

Capacity 20°C (68□) To 1.70V/Cell	20 hour rate	84.6Ah
	10 hour rate	80Ah
	5 hour rate	72Ah
	1 hour rate	54.9Ah
	15 min rate	39.5Ah
Internal resistance(Fully charged, 25°C)	Approx. 5.3m Ω	
Capacity affected by temperature (10HR)	40°C	102%
	25°C	100%
	0°C	85%
	-15°C	65%
Self-discharge (25°C)	3 month	Remaining Capacity: 91%
	6 month	Remaining Capacity: 82%
	12 month	Remaining Capacity: 65%
Nominal operating temperature	25°C ±3°C(77°F ±5°F)	
Operating temperature range	-15°C ~50°C (5°F ~122°F)	
Float charging voltage(25°C)	13.50 to 13.80V	
Cyclic charging voltage(25°C)	14.50 to 14.90V	
Maximum charging current	24A	
Terminal material	Copper	
Maximum discharge current	800A(5 sec.)	

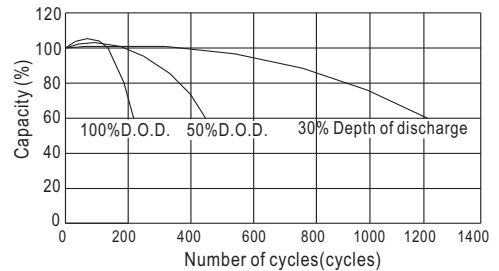
The Relationship for Open Circuit Voltage and Residual Capacity (25°C)



Charging Characteristics(25°C)



Cycle Life(25°C)



Constant Current Discharge Characteristics (A, 25°C)

F.V/TIME	5min	10min	15min	30min	60min	3h	5h	10h	20h
1.60V/cell	308	202	165	93.3	57.2	20.7	14.6	8.12	4.26
1.67V/cell	298	196	160	90.9	55.8	20.5	14.5	8.10	4.25
1.70V/cell	293	192	158	89.5	54.9	20.4	14.4	8.05	4.23
1.80V/cell	275	181	150	85.1	52.2	20.0	14.1	8.00	4.20

Constant Power Discharge Characteristics (Watt/Cell, 25°C)

F.V/TIME	5min	10min	15min	30min	60min	3h	5h	10h	20h
1.60V/cell	554	374	313	174	109	40.6	28.8	16.2	8.53
1.67V/cell	537	362	305	170	106	40.2	28.5	16.1	8.50
1.70V/cell	527	356	300	167	104	40.0	28.4	16.0	8.45
1.80V/cell	495	334	285	159	99.1	39.2	27.8	16.0	8.40