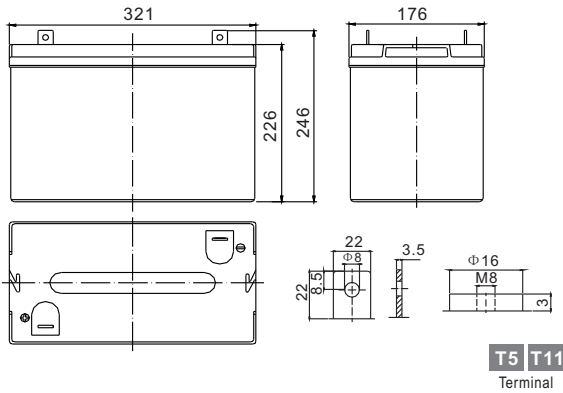


# High Rate Series LFP6200HR (6V620Watts/cell@15min.Rate)

**FirstPower®**

## Dimension(mm)



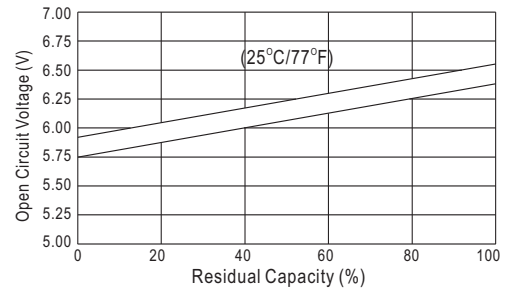
## Specification

Nominal Voltage	6V	
Capacity(10HR, 25°C)	200Ah(620Watt/cell @15min rate)	
Dimension	Length	321mm (12.6inch)
	Width	176mm (6.9inch)
	Height	226mm (8.9inch)
	Total Height(T5/T11)	246mm (9.7inch)/229mm (9.0inch)
Approx. Weight	31kg (68.4lbs)	

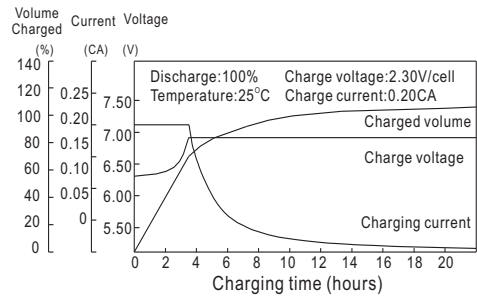
## Characteristics

Capacity 20°C (68□) To 1.70V/Cell	20 hour rate	212Ah
	10 hour rate	200Ah
	5 hour rate	180Ah
	1 hour rate	125Ah
	15 min rate	83Ah
Internal resistance(Fully charged, 25°C)	Approx. 3.1m Ω	
Capacity affected by temperature (10HR)	40°C	102%
	25°C	100%
	0°C	85%
	-15°C	65%
Self-discharge (25°C)	3 month	Remaining Capacity: 91%
	6 month	Remaining Capacity: 82%
	12 month	Remaining Capacity: 65%
Nominal operating temperature	25°C ±3°C(77°F ±5°F)	
Operating temperature range	-15°C~50°C(5°F~122°F)	
Float charging voltage(25°C)	6.75 to 6.90V	
Cyclic charging voltage(25°C)	7.25 to 7.45V	
Maximum charging current	60A	
Terminal material	Copper	
Maximum discharge current	1600A(5 sec.)	

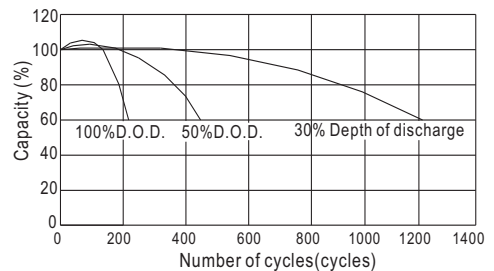
## The Relationship for Open Circuit Voltage and Residual Capacity (25°C)



## Charging Characteristics(25°C)



## Cycle Life(25°C)



## Constant Current Discharge Characteristics (A, 25°C)

F.V/TIME	5min	10min	15min	30min	60min	3h	5h	10h	20h
1.60V/cell	648	426	346	207	130	51.8	36.5	20.3	10.7
1.67V/cell	627	412	337	202	127	51.3	36.2	20.2	10.6
1.70V/cell	615	404	332	198	125	51.0	36.0	20.1	10.6
1.80V/cell	578	380	316	189	119	50.0	35.3	20.0	10.5

## Constant Power Discharge Characteristics (Watt/Cell, 25°C)

F.V/TIME	5min	10min	15min	30min	60min	3h	5h	10h	20h
1.60V/cell	1166	787	657	387	247	101	72.0	40.4	21.3
1.67V/cell	1128	762	641	377	241	101	71.3	40.3	21.3
1.70V/cell	1107	748	631	371	237	100	70.9	40.0	21.1
1.80V/cell	1041	703	599	353	225	98.0	69.5	40.0	21.0