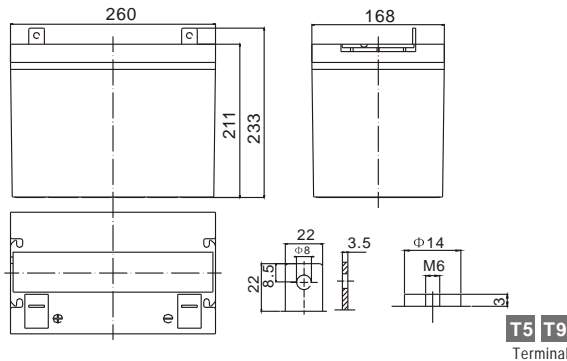


Deep Cycle Series

LFP1280D 12V80Ah

FirstPower®

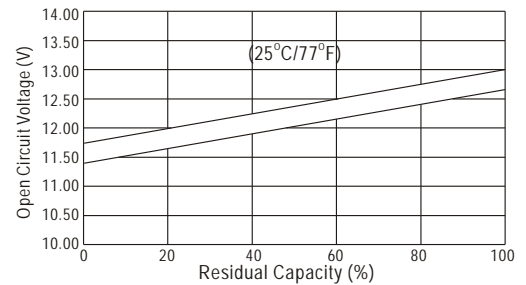
Dimension(mm)



Specification

Nominal Voltage		12 V
Capacity(10HR, 25°C)		80Ah
Dimension	Length	260mm (10.2inch)
	Width	168mm (6.6inch)
	Height	211mm (8.3inch)
	Total Height(T5/T9)	233mm (9.2inch)/214mm (8.4inch)
Approx. Weight		25.5kg (56.2lbs)

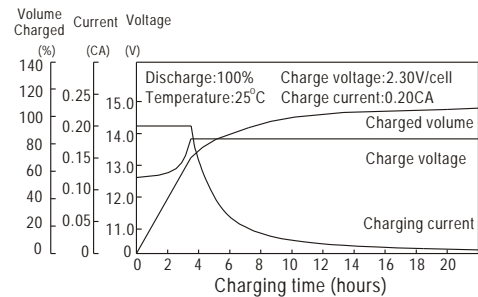
The Relationship for OpenCircuit Voltage and Residual Capacity (25°C)



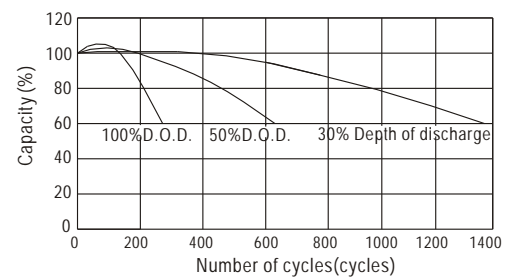
Characteristics

Capacity 20°C (68°F) To 1.70V/Cell	20 hour rate	84.6Ah
	10 hour rate	80Ah
	5 hour rate	72Ah
	1 hour rate	50.4Ah
	15 min rate	32.8Ah
Internal resistance(Fully charged, 25°C)		Approx. 5.4mΩ
Capacity affected by temperature (10HR)	40°C	102%
	25°C	100%
	0°C	85%
	-15°C	65%
Self-discharge (25°C)	3 month	Remaining Capacity: 91%
	6 month	Remaining Capacity: 82%
	12 month	Remaining Capacity: 65%
Nominal operating temperature		25°C ±3°C(77°F ±5°F)
Operating temperature range		-15°C ~50°C(5°F ~122°F)
Float charging voltage(25°C)		13.60 to 13.80V
Cyclic charging voltage(25°C)		14.50 to 14.90V
Maximum charging current		24A
Terminal material		Copper
Maximum discharge current		800A(5 sec.)

Charging Characteristics(25°C)



Cycle Life(25°C)



Constant Current Discharge Characteristics(A, 25°C)

F. V/TIME	5min	10min	15min	30min	60min	3h	5h	10h	20h
9.60V	261	179	136	84.8	52.5	20.3	14.6	8.12	4.26
10.2V	248	170	131	81.4	50.4	20.0	14.4	8.08	4.23
10.8V	233	159	124	77.4	47.9	19.6	14.1	8.00	4.20

Constant Power Discharge Characteristics(Watt, 25°C)

F. V/TIME	5min	10min	15min	30min	60min	3h	5h	10h	20h
9.60V	2742	1928	1497	952	593	239	173	97.0	51.1
10.2V	2605	1831	1437	914	569	235	170	96.5	50.8
10.8V	2448	1722	1365	868	541	230	167	95.5	50.4